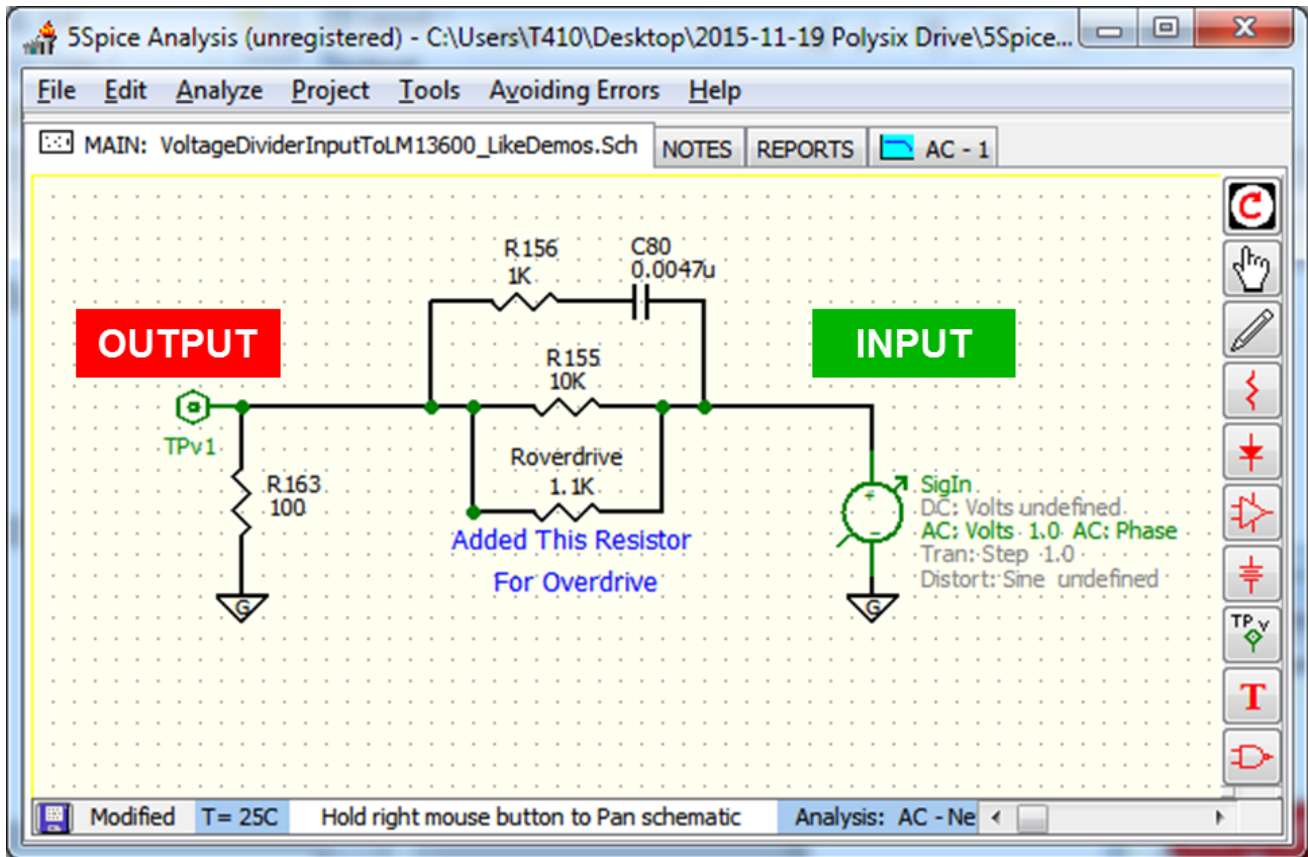


## Cocoon El Retorno [DVDRIP][Spanish][www.mewpct.com] 45



DOWNLOAD: <https://bytly.com/2irwh8>

Download

